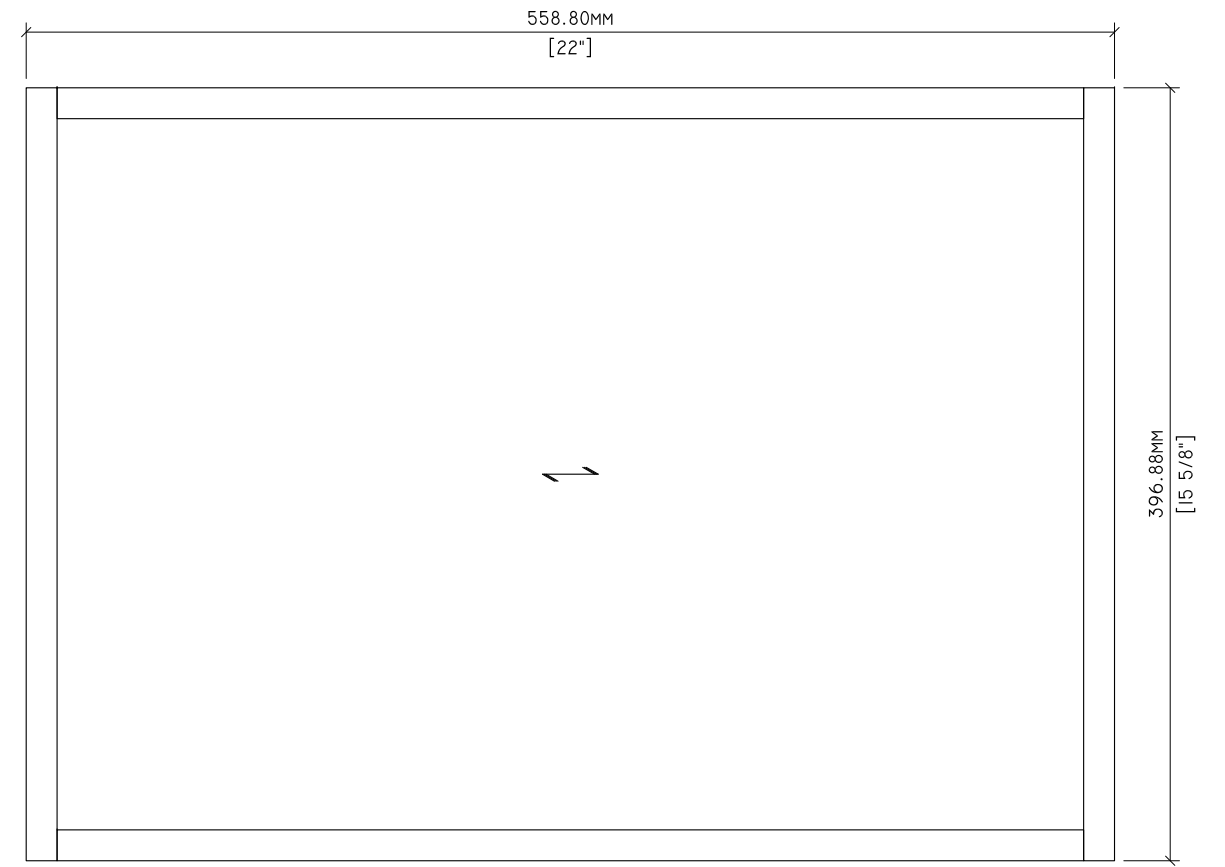
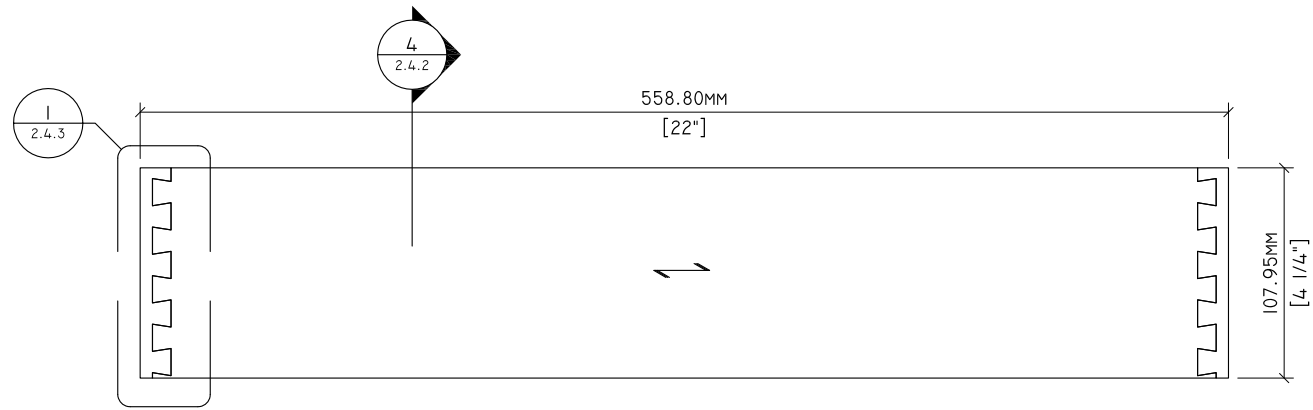


1
2.4.1
PLAN
3" = 1'-0"

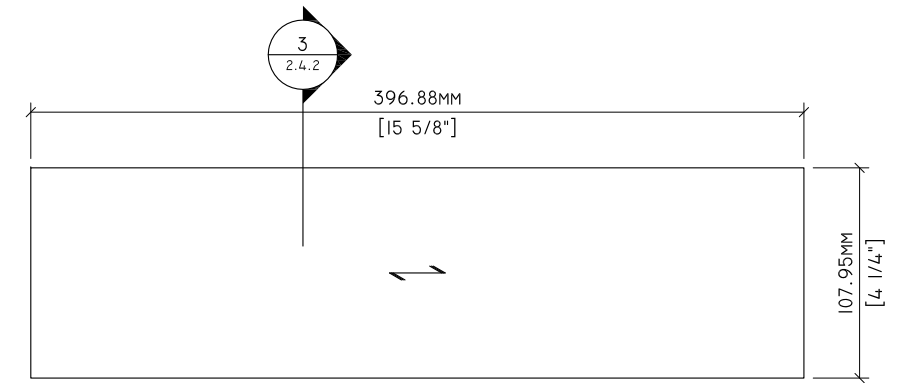


2
2.4.1
PLAN - BOTTOM
3" = 1'-0"

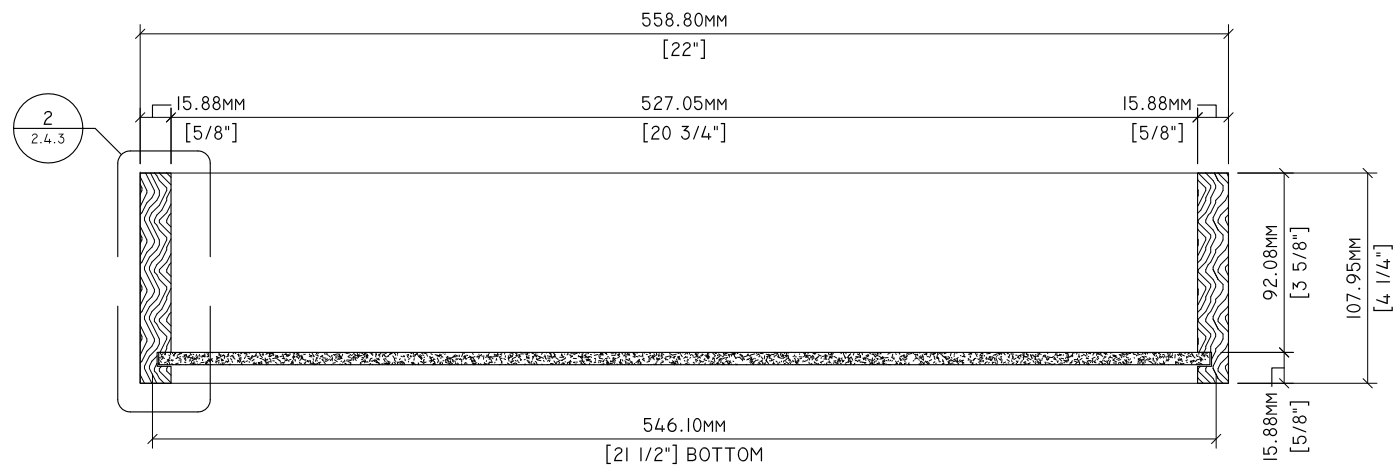
| | | | | |
|--------------|------|------------------|------------|----------------------------------|
| Drawn By: | HD | REVISIONS | | SPECIMEN DWG. NO.: 2.4.1 |
| Reviewed By: | - | ① | - | JOINERY METHOD NO.: DOVETAIL |
| Revised By: | -HKM | ② | -7/30/2020 | SPECIMEN MATERIAL: 5/8" HARDWOOD |
| Revised By: | - | ③ | - | BATCH QUANTITY: N/A |
| Approved By: | - | ④ | - | SCALE: AS NOTED |



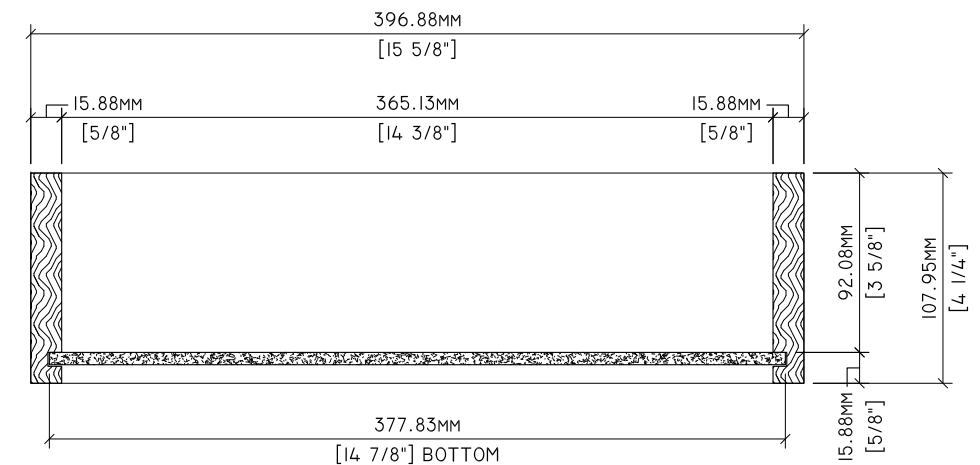
1 ELEVATION
2.4.2 3" = 1'-0"



2 ELEVATION
2.4.2 3" = 1'-0"

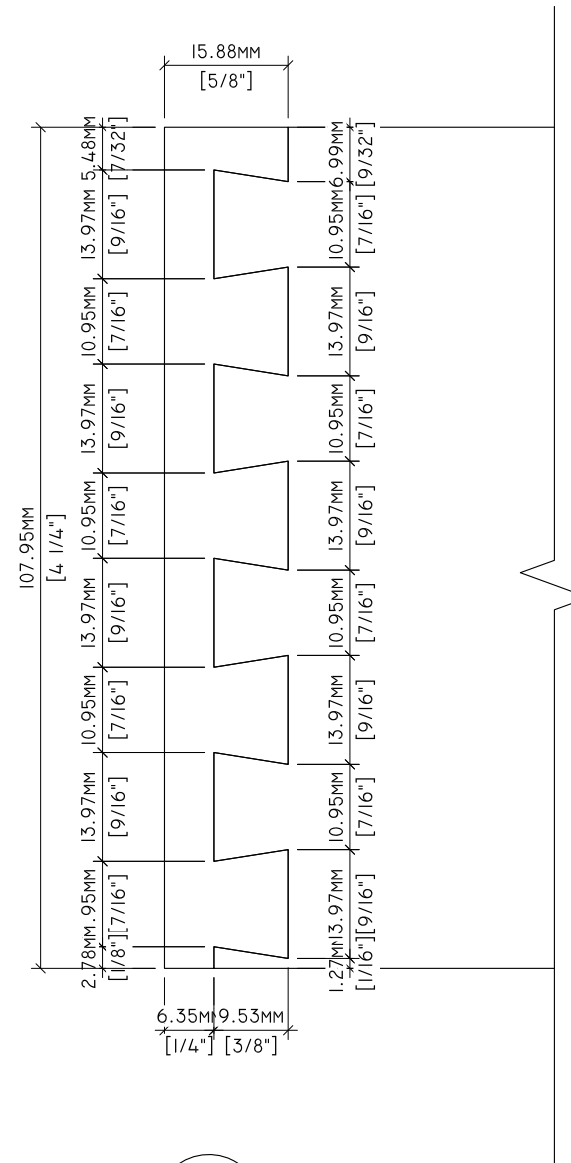


3 SECTION
2.4.2 3" = 1'-0"

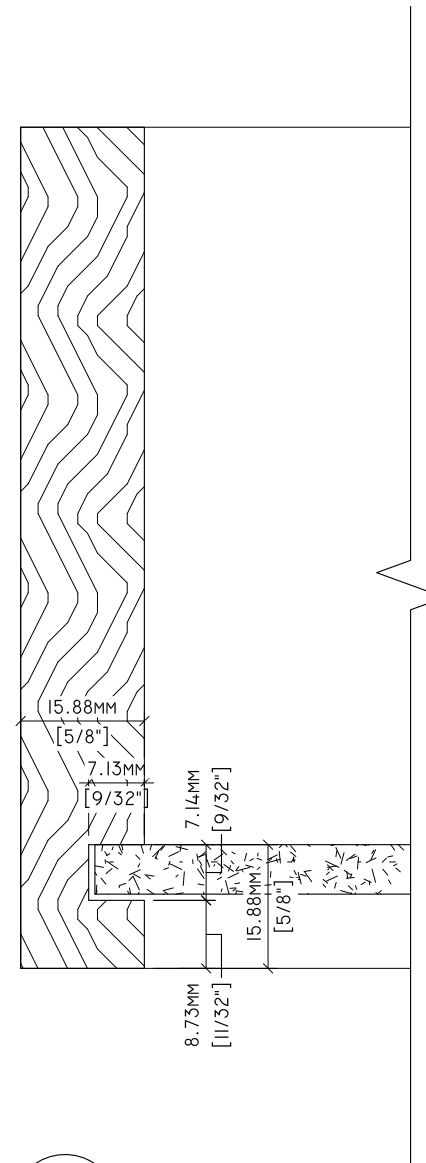


4 SECTION
2.4.2 3" = 1'-0"

| | | | | |
|--------------|------|------------------|------------|----------------------------------|
| Drawn By: | HD | REVISIONS | | SPECIMEN DWG. NO.: 2.4.2 |
| Reviewed By: | - | ① | - | JOINERY METHOD NO.: DOVETAIL |
| Revised By: | -HKM | ② | -7/30/2020 | SPECIMEN MATERIAL: 5/8" HARDWOOD |
| Revised By: | - | ③ | - | BATCH QUANTITY: N/A |
| Approved By: | - | ④ | - | SCALE: AS NOTED |



1
2.4.3
12" = 1'-0"



2
2.4.3
12" = 1'-0"

| | | | | |
|--------------|------|------------------|------------|----------------------------------|
| Drawn By: | HD | REVISIONS | | SPECIMEN DWG. NO.: 2.4.3 |
| Reviewed By: | - | ① | - | JOINERY METHOD NO.: DOVETAIL |
| Revised By: | -HKM | ② | -7/30/2020 | SPECIMEN MATERIAL: 5/8" HARDWOOD |
| Revised By: | - | ③ | - | BATCH QUANTITY: N/A |
| Approved By: | - | ④ | - | SCALE: AS NOTED |