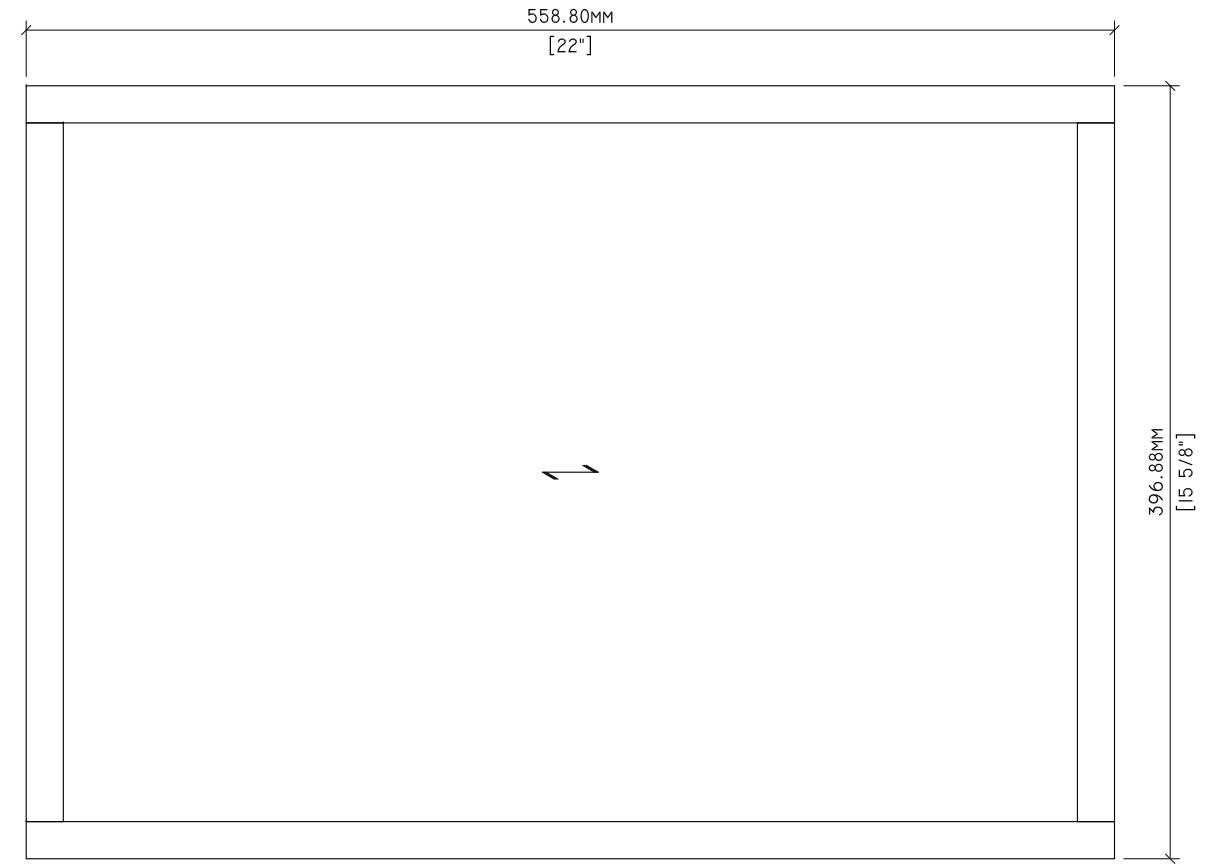
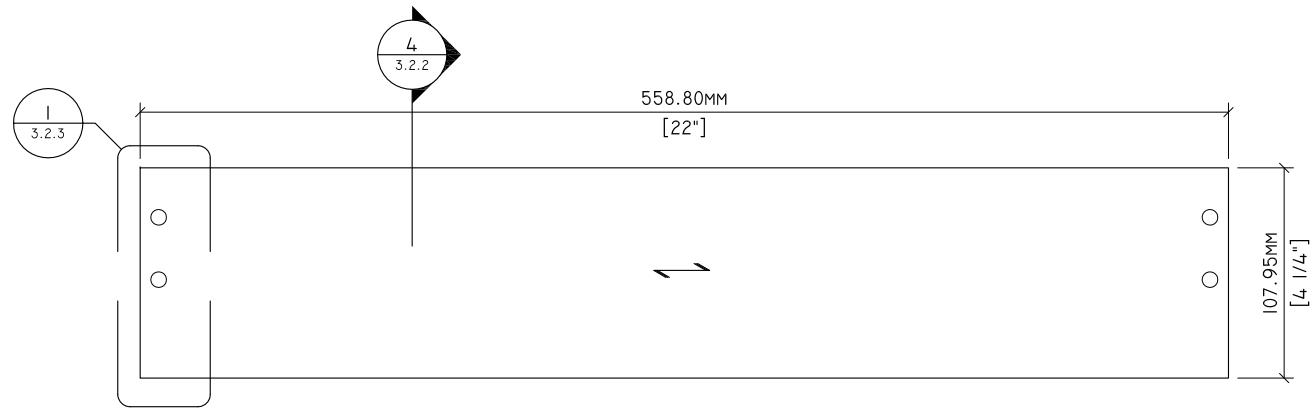


1
3.2.1 PLAN
3" = 1'-0"

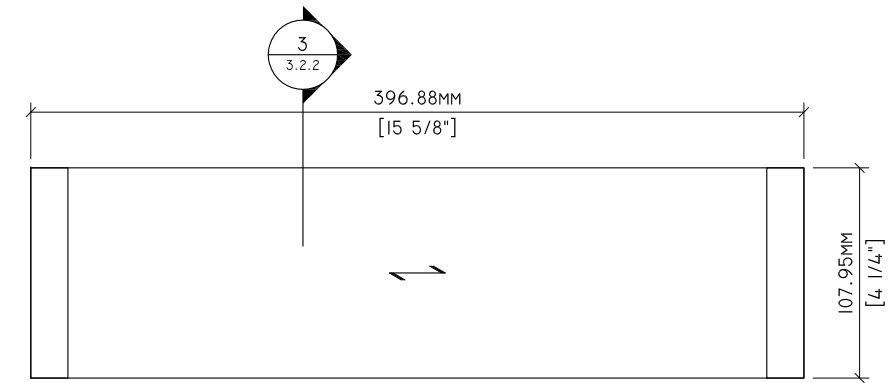


2
3.2.1 PLAN - BOTTOM
3" = 1'-0"

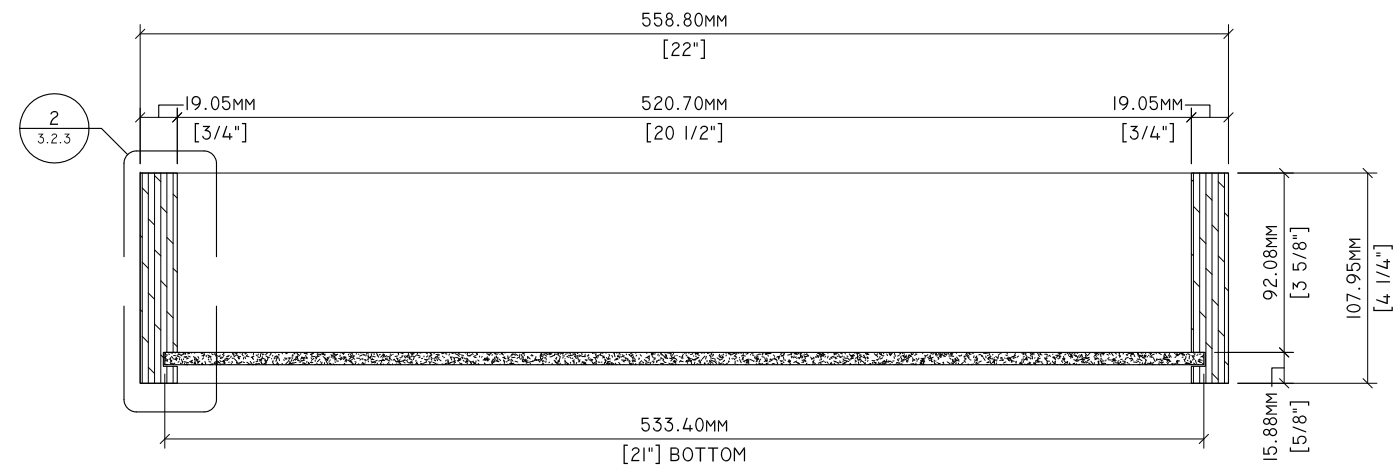
Drawn By:	HD	REVISIONS		SPECIMEN DWG. NO.: 3.2.1
Reviewed By:	-	①	-	JOINERY METHOD NO.: 8MM DOWEL
Revised By:	-HKM	②	-7/30/2020	SPECIMEN MATERIAL: 3/4" M2 PARTICLE BOARD
Revised By:	-	③	-	BATCH QUANTITY: N/A
Approved By:	-	④	-	SCALE: AS NOTED



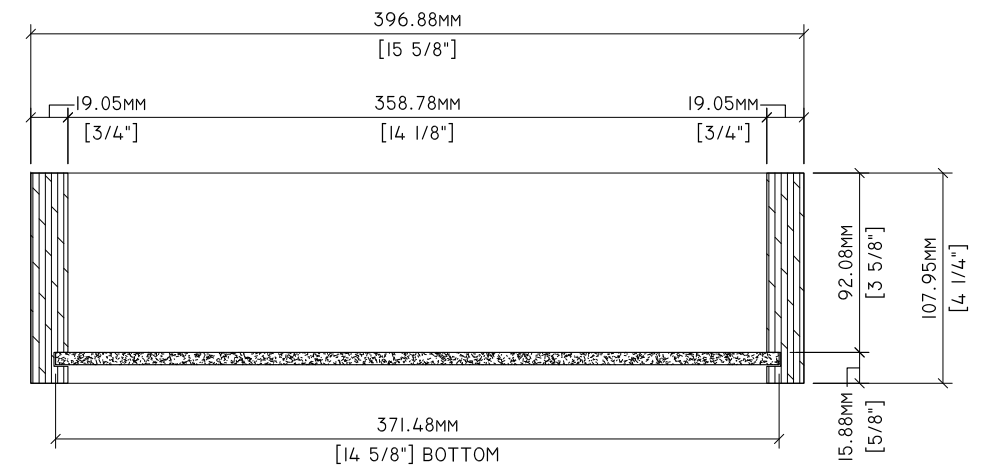
1
3.2.2 ELEVATION
3" = 1'-0"



2
3.2.2 ELEVATION
3" = 1'-0"

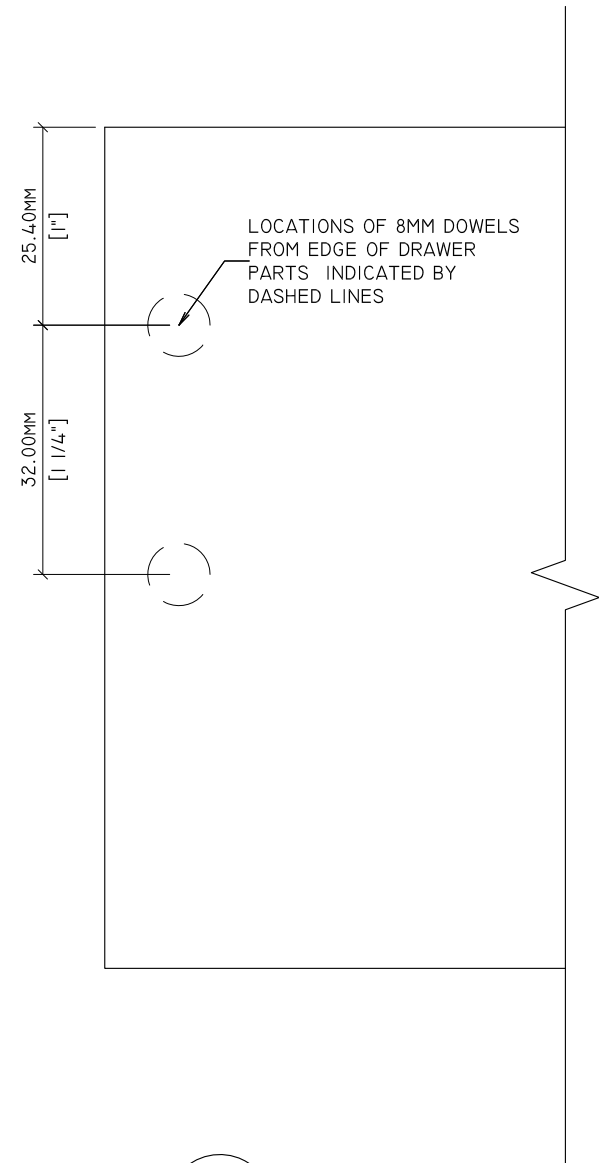


3
3.2.2 SECTION
3" = 1'-0"

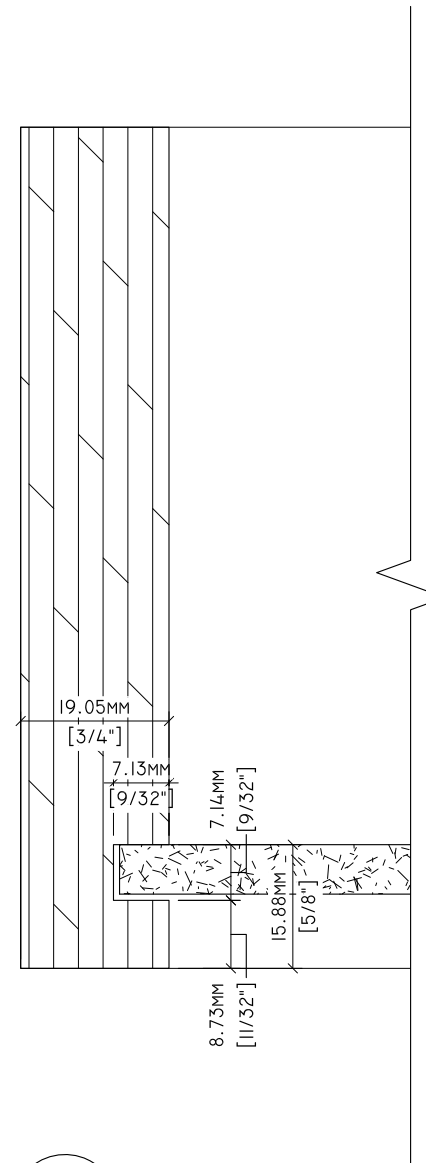


4
3.2.2 SECTION
3" = 1'-0"

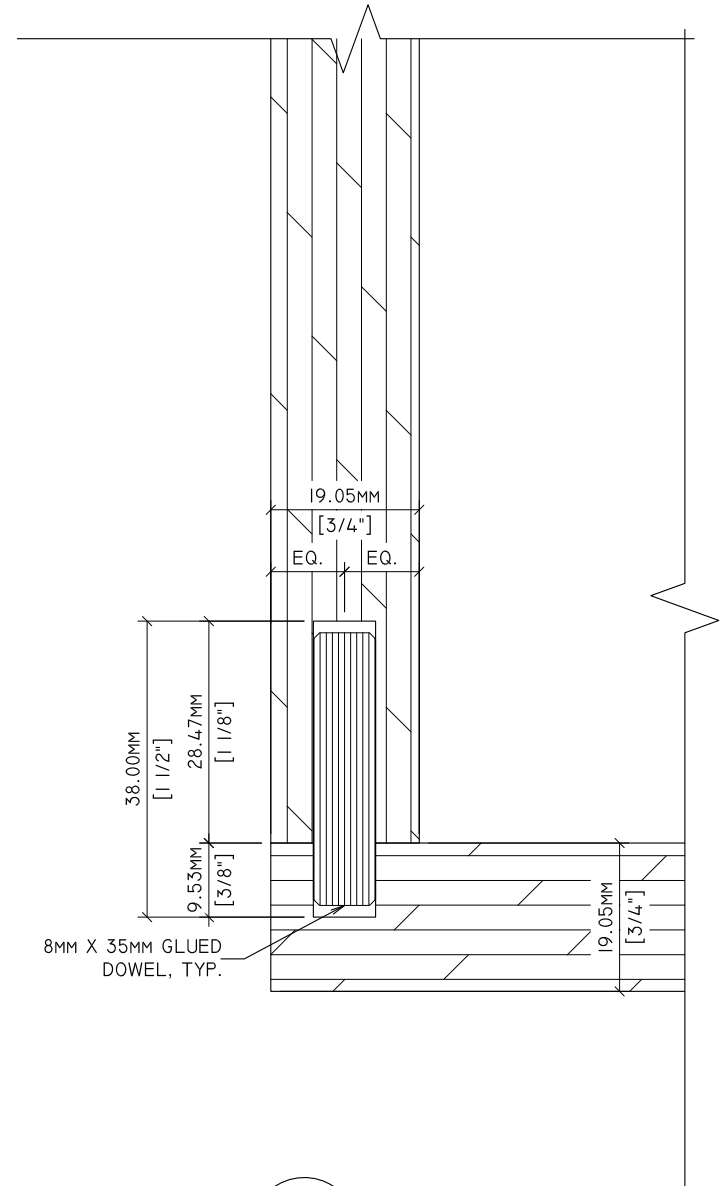
Drawn By:	HD	REVISIONS		SPECIMEN DWG. NO.: 3.2.2
Reviewed By:	-	①	-	JOINERY METHOD NO.: 8MM DOWEL
Revised By:	-HKM	②	-7/30/2020	SPECIMEN MATERIAL: 3/4" M2 PARTICLE BOARD
Revised By:	-	③	-	BATCH QUANTITY: N/A
Approved By:	-	④	-	SCALE: AS NOTED



1
3.2.3 12" = 1'-0"



2
3.2.3 12" = 1'-0"



3
3.2.3 12" = 1'-0"

Drawn By:	HD	REVISIONS		SPECIMEN DWG. NO.: 3.2.3
Reviewed By:	-	①	-	JOINERY METHOD NO.: 8MM DOWEL
Revised By:	-HKM	②	-7/30/2020	SPECIMEN MATERIAL: 3/4" M2 PARTICLE BOARD
Revised By:	-	③	-	BATCH QUANTITY: N/A
Approved By:	-	④	-	SCALE: AS NOTED