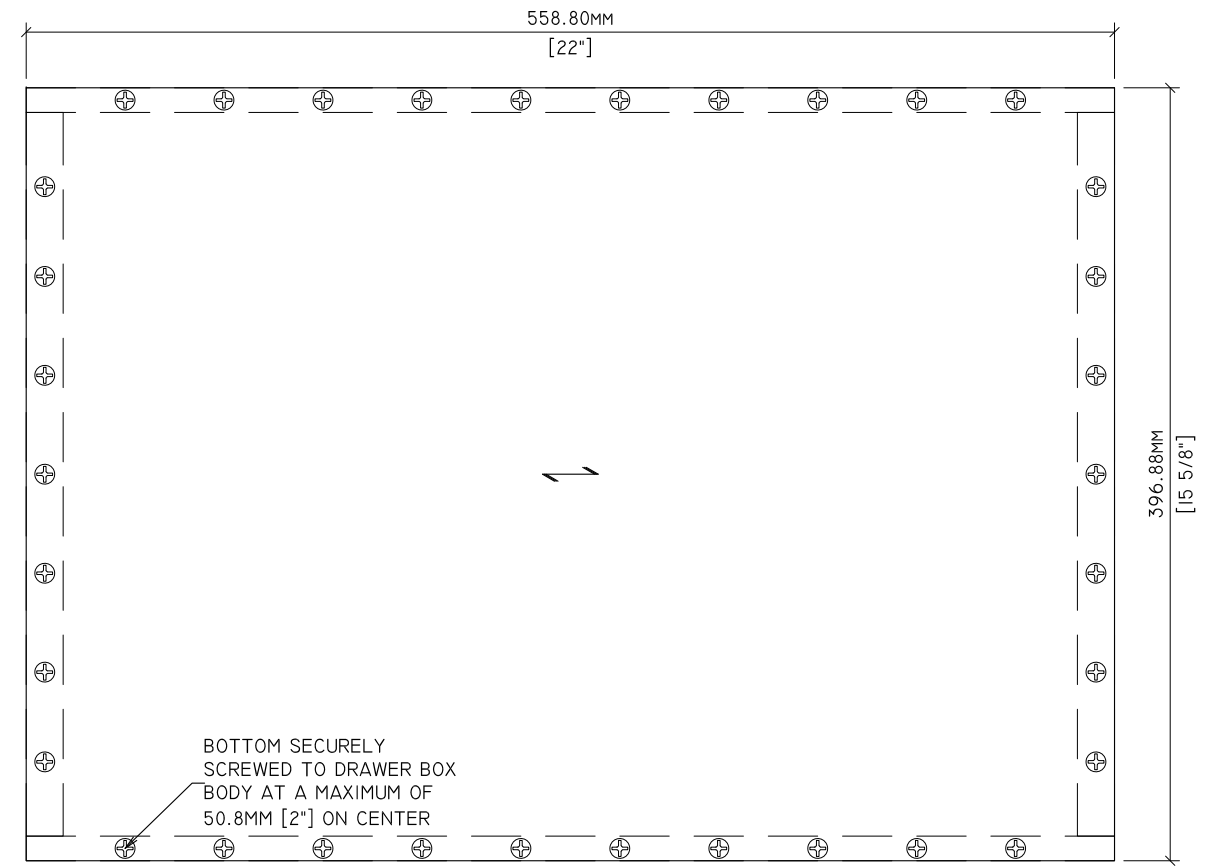
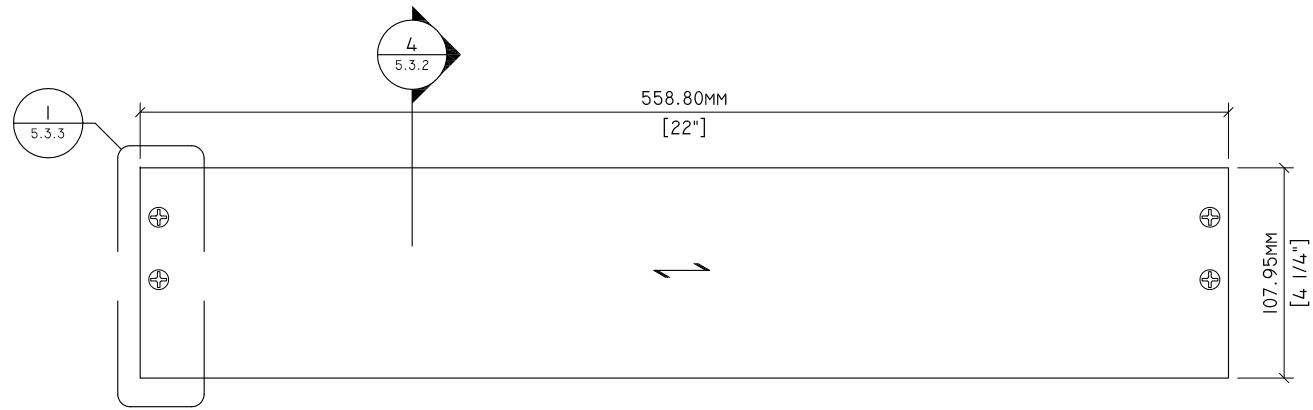


1
6.3.1 PLAN
3" = 1'-0"

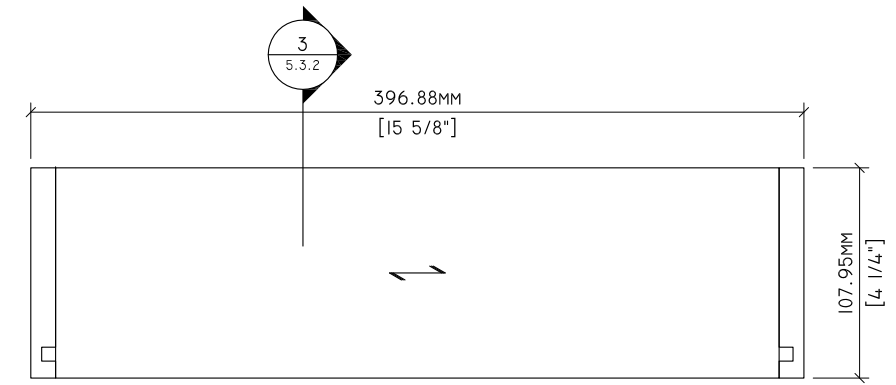


2
6.3.1 PLAN - BOTTOM
3" = 1'-0"

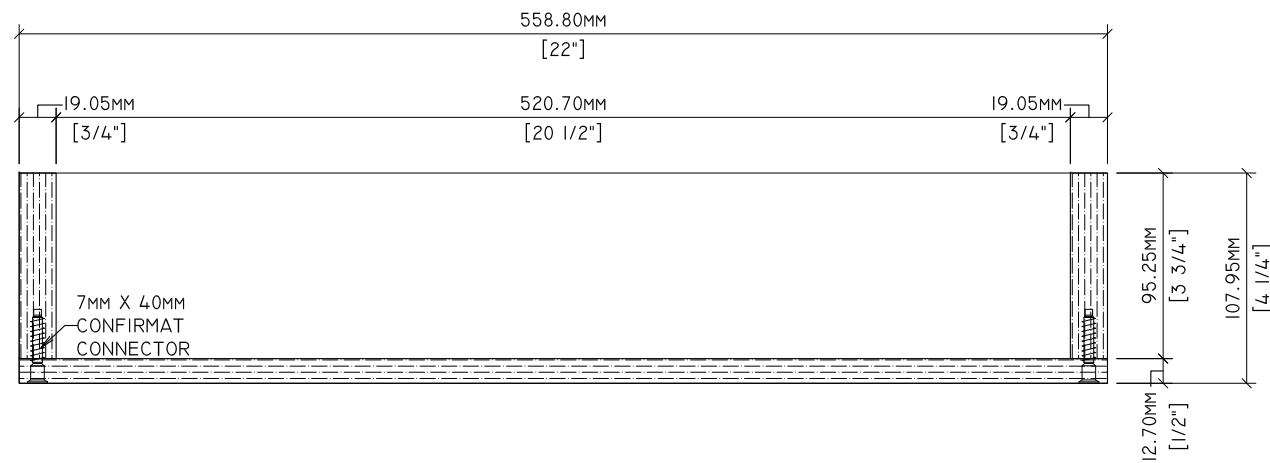
Drawn By:	HD	REVISIONS		SPECIMEN DWG. NO.: 6.3.1
Reviewed By:	-	①	-	JOINERY METHOD NO.: CONFIRMAT
Revised By:	-HKM	②	-7/30/2020	SPECIMEN MATERIAL: 3/4" & 1/2" VENEER CORE
Revised By:	-	③	-	BATCH QUANTITY: N/A
Approved By:	-	④	-	SCALE: AS NOTED



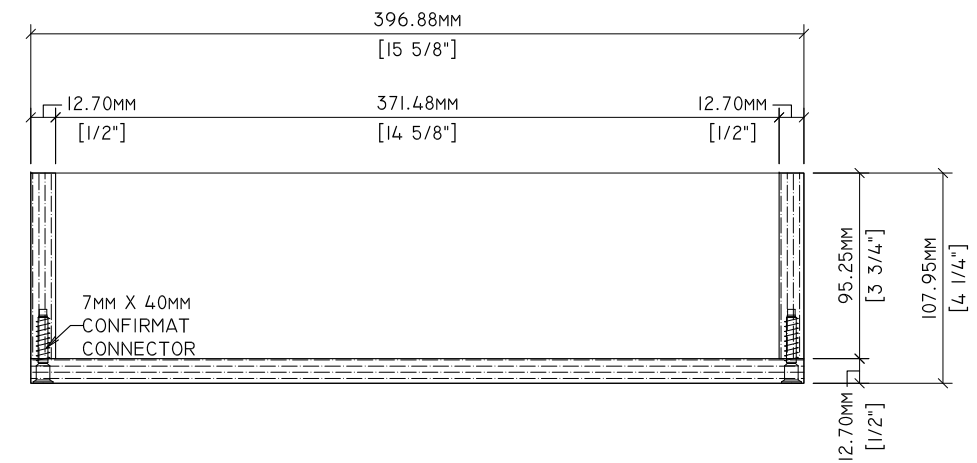
1
ELEVATION
6.3.2 3" = 1'-0"



2
ELEVATION
6.3.2 3" = 1'-0"

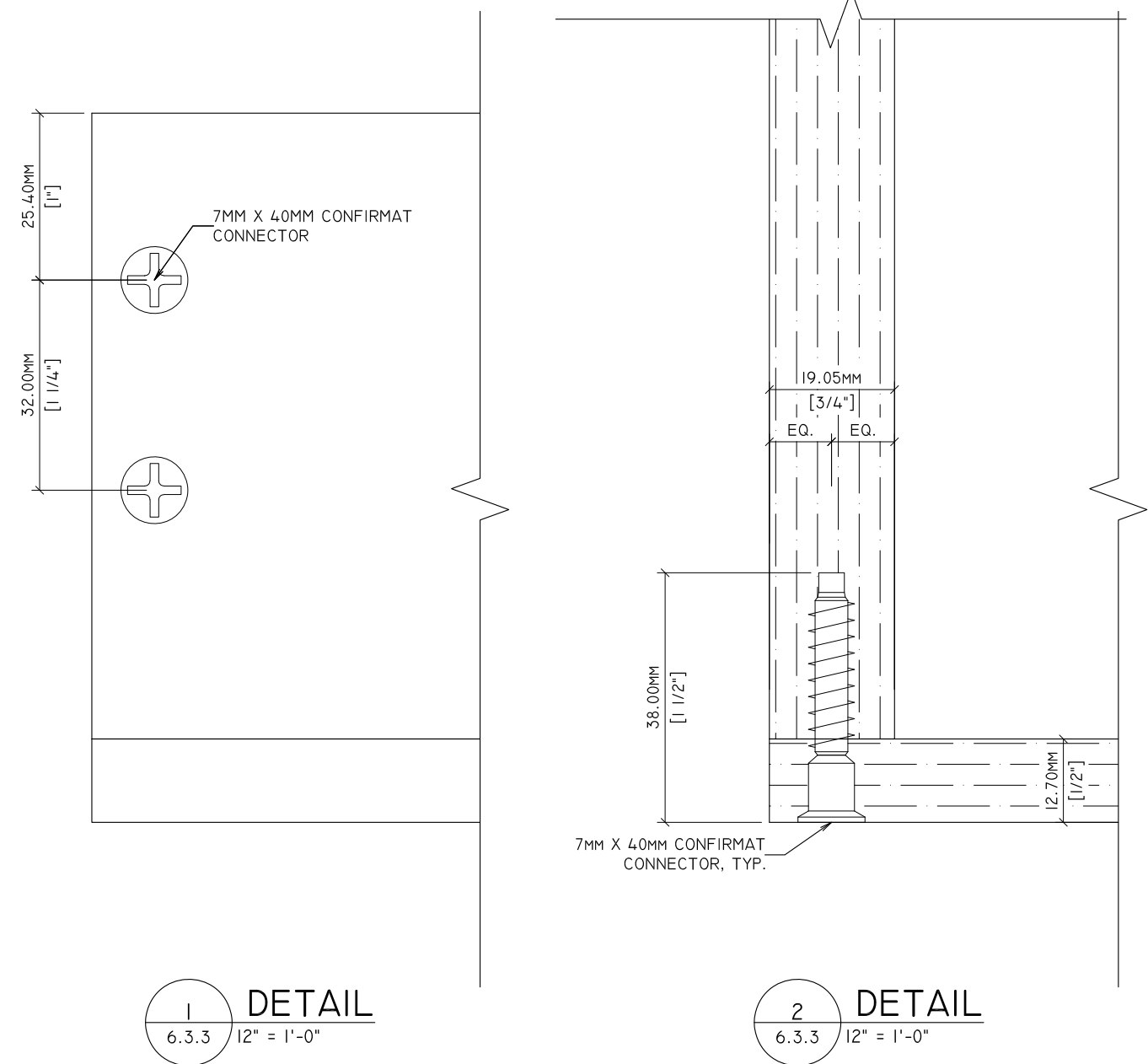


3
SECTION
6.3.2 3" = 1'-0"



4
SECTION
6.3.2 3" = 1'-0"

Drawn By:	HD	REVISIONS		SPECIMEN DWG. NO.: 6.3.2
Reviewed By:	-	①	-	JOINERY METHOD NO.: CONFIRMAT
Revised By:	-HKM	②	-7/30/2020	SPECIMEN MATERIAL: 3/4" & 1/2" VENEER CORE
Revised By:	-	③	-	BATCH QUANTITY: N/A
Approved By:	-	④	-	SCALE: AS NOTED



Drawn By:	HD	REVISIONS		SPECIMEN DWG. NO.: 6.3.3
Reviewed By:	-	①	-	JOINERY METHOD NO.: CONFIRMAT
Revised By:	-HKM	②	-7/30/2020	SPECIMEN MATERIAL: 3/4" & 1/2" VENEER CORE
Revised By:	-	③	-	BATCH QUANTITY: N/A
Approved By:	-	④	-	SCALE: AS NOTED